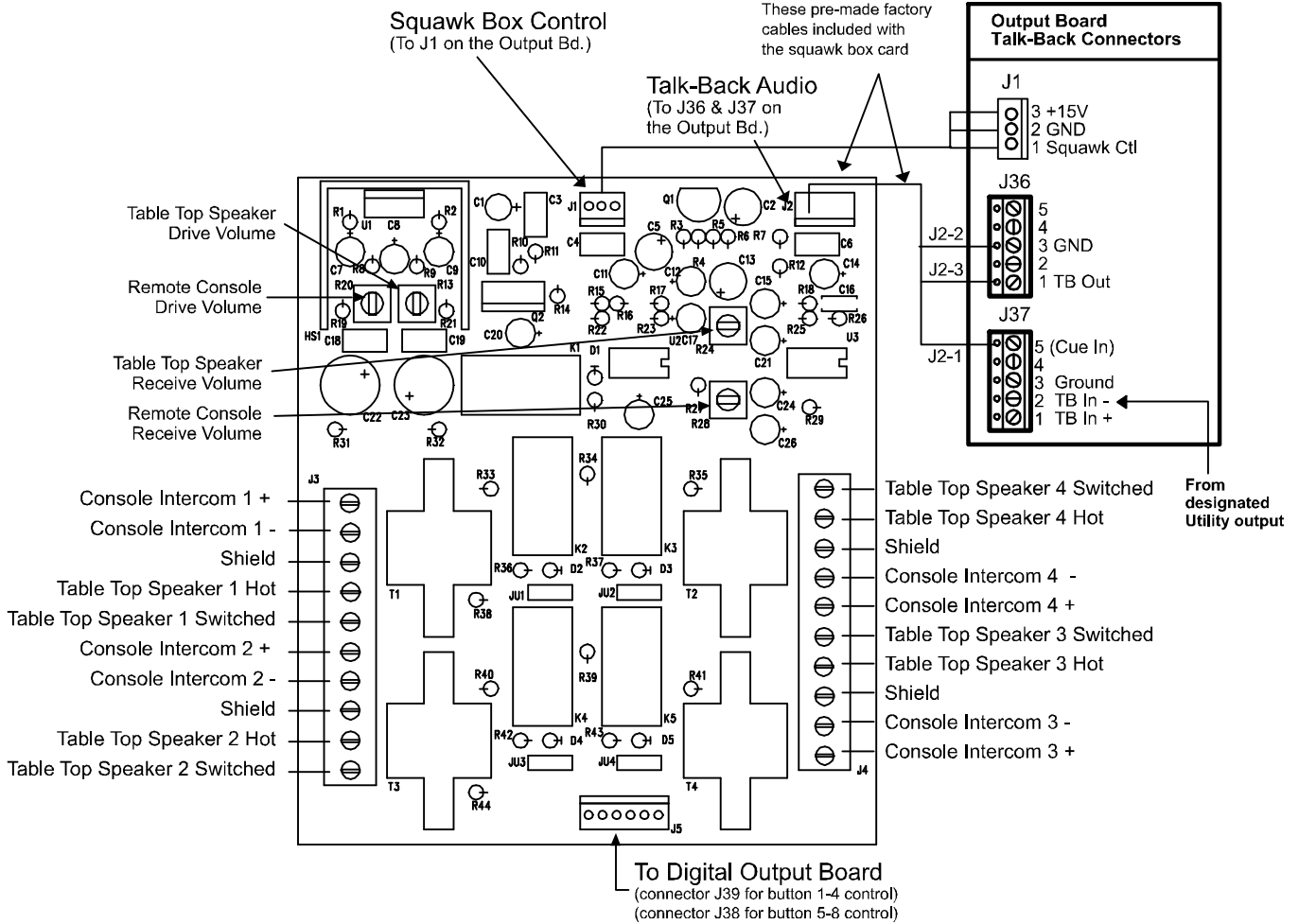


For Assy:
16130
Rev: 5/4/2007

Radio Systems Part #16130 Intercom Card



Wiring

1. Connect utility output (typically with operators mic prefader / pre on-off assigned) (or other line level source) to output board talk-back input (J37 pins 1 & 2).
2. Connect provided patch cables from squawk box card to output board (control cable from squawk back card J1 to console connector J1 and the audio cable from squawk box card J2 to console connectors J36 & J37).
3. Connect up to four table-top speakers to terminals labeled "table-top speaker hot" and "table-top speaker switched" (1-4). Use shielded cable. Consult interconnection diagram on next page for hook-up. Select table-top speaker on console selector buttons for hands-free mode. Table-top speakers can "call" the console via call button.
4. Connect up to four console intercoms to terminals labeled "console intercom +" and "console intercom -". Consoles must select each other to establish a push-to-talk pathway.
5. Maximum of four stations "any combination of table-top and console" may be connected.

Installation

When ordered with the console, this optional board normally will be factory-installed.

For field installation, use the four plastic stand-offs provided to mount the board on the inside rear console wall near the associated input and output and wire it to the output board with the two (supplied) harness cables.

Option Board Grid	
Manufactured Date:	
Status:	
Application:	
Notes:	

radio SYSTEMS

601 Heron Drive · Logan Township, NJ 08085
856/467-8000 · 856/467-3044 Fax · sales@radiosystems.com
www.radiosystems.com · www.studiohub.com