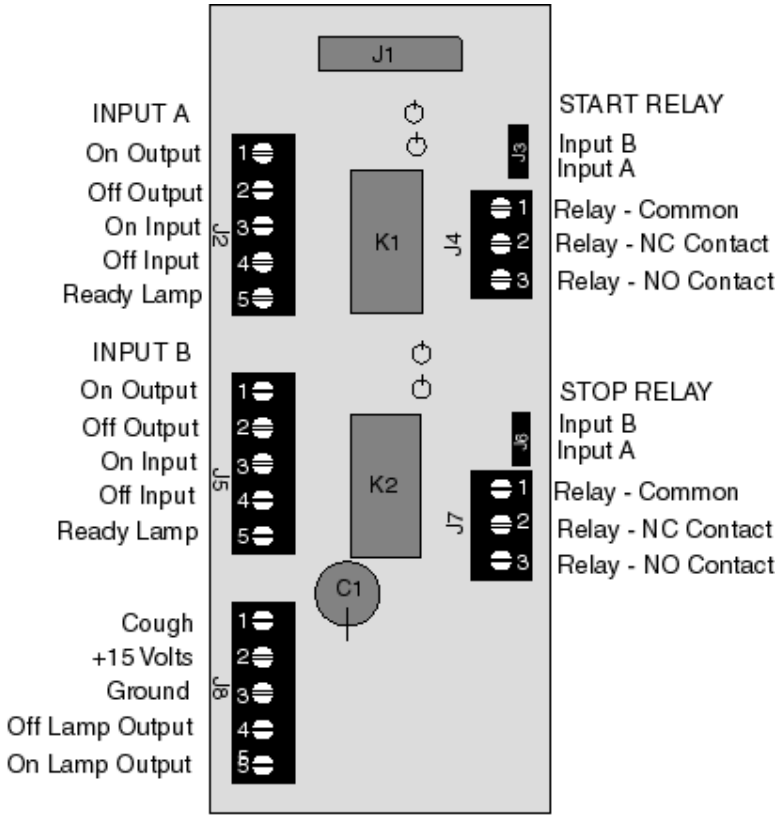


For Assy:
11274
Rev: 1/26/2006

Radio Systems Part# 11274 Basic Remote Interface Card

This optional card provides relay closures (n.o. and n.c.) for channel on and off states and fans out all channel remote control connections from their on-board 'D' connector to convenient barrier strip terminals. Jumper programming allows selection of A or B input control for relay function.



Remote Wiring Notes:

- 1) Connect and hold 'cough' lead to +15V to hold the channel off
- 2) All console outputs go low when triggered
- 3) All console inputs go to ground to activate
- 4) Relays pulse or hold closed when channels turn on or off (depending on console programming).

Installation Notes:

When ordered with a Millenium console, this optional board normally will be factory installed and operational. For field installation, use the four plastic stand-offs provided to mount the board on the inside rear console wall near the associated input and output. Use the cable provided to wire the remote board(s) to the desired console channel remote control D connector via on-board connector J-2

Programming Notes:

- 1) A/B jumpers - short upper 2 pins for input B control, or short lower 2 pins for input A control of associated relay.

Information Grid	
Manufactured Date:	1998-Present
Status:	Current
Application:	Millenium-A / Millenium-D
Notes:	



601 Heron Drive · Logan Township, NJ 08085
856/467-8000 · 856/467-3044 Fax · sales@radiosystems.com
www.radiosystems.com · www.studiohub.com