

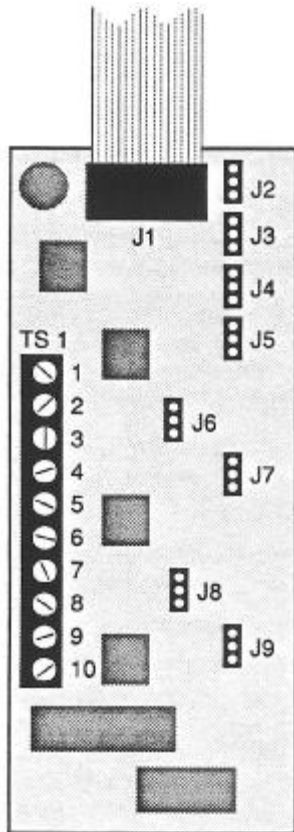
For Assy:
8680
Rev: 1/26/2006

Radio Systems Part# 8680 RS Cart Remote Interface Board

Description

This optional board allows console tally lamp follow of cart machine lamps, cue tone channel turn-off and next channel event sequencing, and cart remote start.

To allow maximum control and interfacing flexibility, the board provides opto-isolation of all functions, and selectable leading or trailing edge response to car machine cue tones.



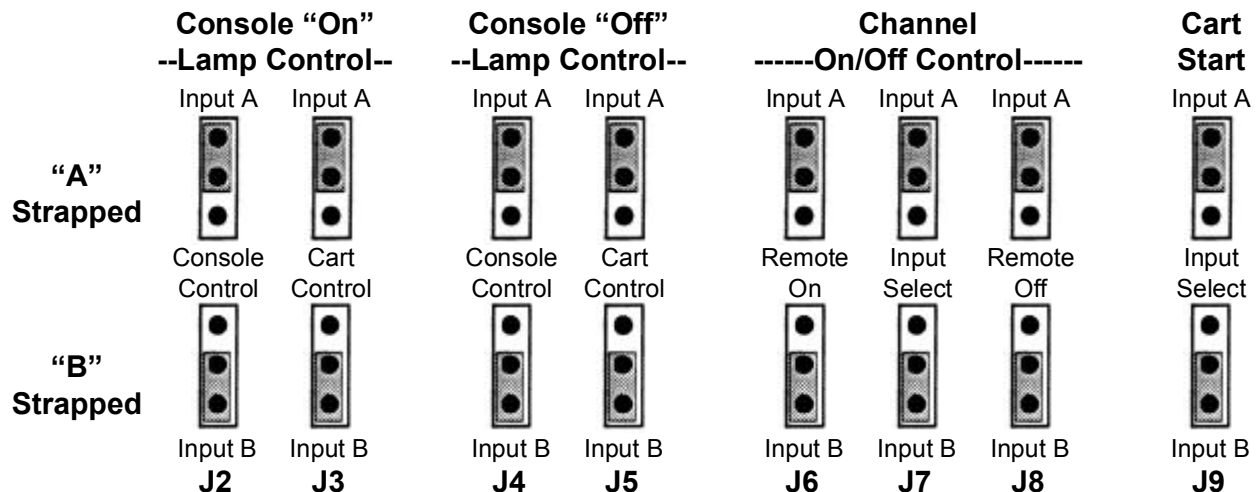
Headers

- J1: DIP connector to input control card
- J2: Console "On" lamp control - input assign
- J3: Cart "On" lamp control - input assign
- J4: Console "Off" lamp control - input assign
- J5: Cart "Off" lamp control - input assign
- J6: Remote channel "On" - leading/trailing assign
- J7: Remote channel On/Off control - input assign
- J8: Remote channel "Off" - leading/trailing assign
- J9: Start relay - input assign

TS 1 Terminal Strip Connections

- 1+ } Channel
- 2- } "On" Lamp
- 3+ } Channel
- 4- } "Off" Lamp
- 5+ } Channel "On"
- 6- } Control
- 7+ } Channel "Off"
- 8- } Control
- 9 } Cart
- 10 } Start

Programming



Option Board Grid	
Manufactured Date:	1988-1998
Status:	Obsolete
Application:	RS-Series
Notes:	

radio
SYSTEMS

601 Heron Drive · Logan Township, NJ 08085
856/467-8000 · 856/467-3044 Fax · sales@radiosystems.com
www.radiosystems.com · www.studiohub.com