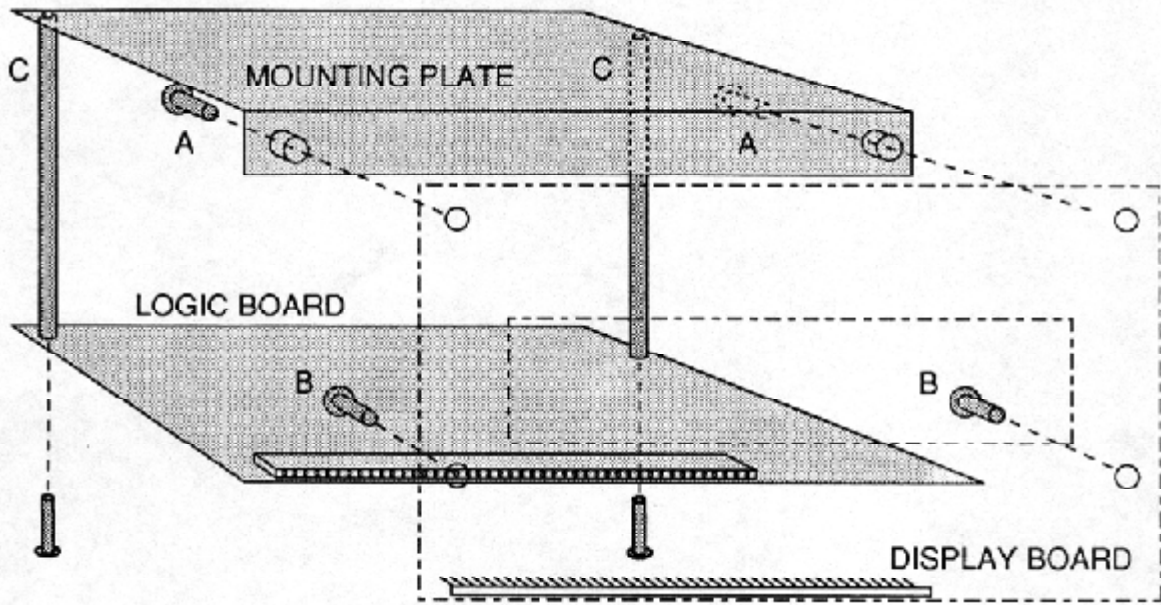


For Assy:
10795
Rev: 1/26/2006

Radio Systems Part# 10795 Super Clock Field Installation



1. Remove the red lens and existing clock or timer (if one is present) from the right hand overbridge cut-out (or left or right cut-out in 18 or 24 channel consoles). Replace the red lens with the screened lens enclosed, and re-install the four standoffs.
2. Mount the display board first by screwing the two #3-30 x 3/16" screws and lockwashers (enclosed) (B), through the bottom two holes only, into the bottom two standoffs. The display board mounts so that the LED displays face out and the ICs & connectors are down.
3. Using the two #4-40 x 1/2" screws and lockwashers, (enclosed) (A) mount the metal plate through the top two holes of the display board to the top two standoffs.
4. Thread the 2 1/2" standoffs (C) into the metal plate so that when the logic board is mounted to the display board, the rear of the assembly is held in place by screwing in the two #4-40 x 3/16" screws and lockwashers (enclosed).
5. Plug in the four pin power connector from the console to J-6 on the logic board.

Information Grid	
Manufactured Date:	1995-1997
Status:	Obsolete
Application:	RS-Series Consoles
Notes:	

radio
SYSTEMS

601 Heron Drive · Logan Township, NJ 08085
856/467-8000 · 856/467-3044 Fax · sales@radiosystems.com
www.radiosystems.com · www.studiohub.com