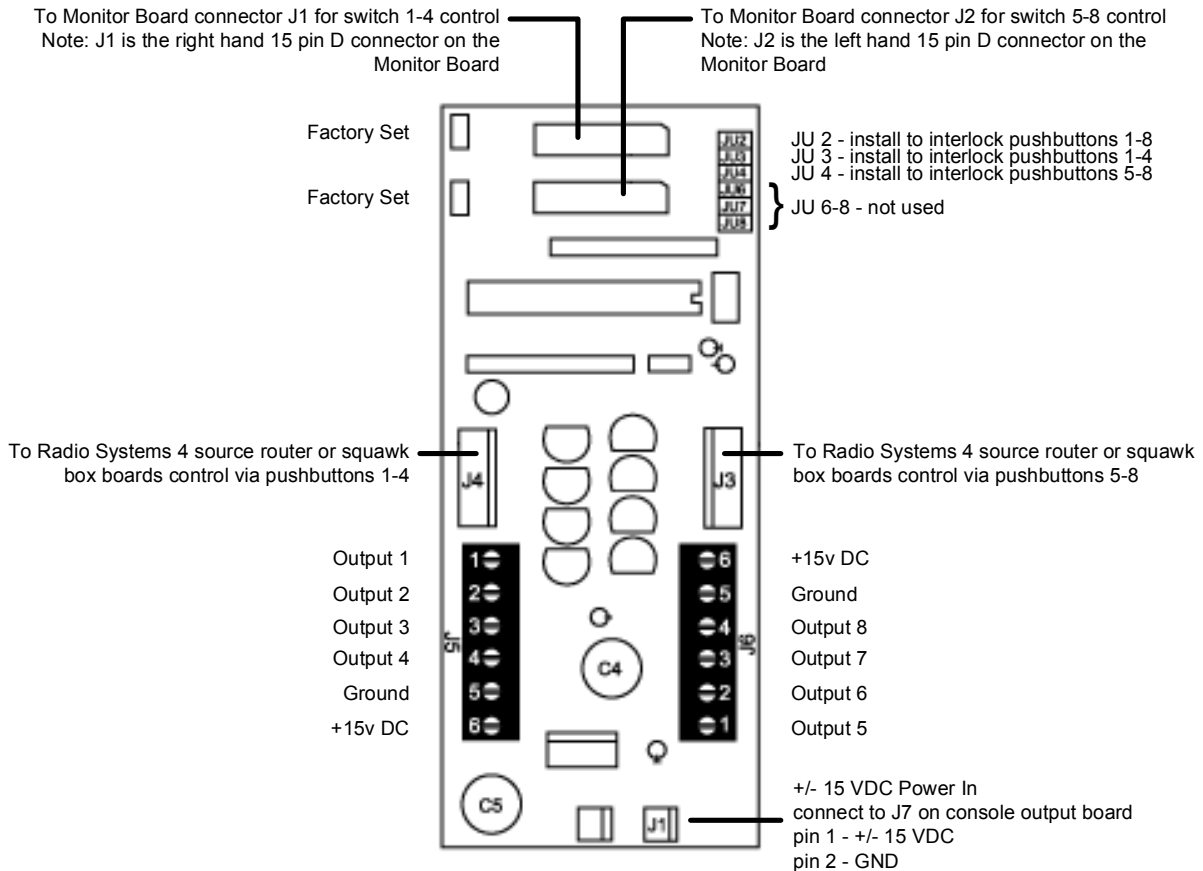


For Assy:
11027
Rev: 1/26/2006

Radio Systems Part# 11027 Selector Logic Card

This option card adds control logic to the 8 switches located to the right of the monitor section. Added and programmable logic functions include:

- Push-on / Push-off (independent latching switch)
- Interlocking as one of four, or one of eight switch sets
- Lamp follow logic



Outputs are open collector, pull-to-ground. The output goes low and will stay low as long as the associated switch LED is illuminated

Installation Notes

When orders with the console, this option card will normally be factory installed and operational. For field installation, use the four plastic stand-offs provided to mount the card on the inside rear console wall near the associated input or output.

This card may be installed and used independently by connecting the output barrier strips or, as a logic controller for any combination of two Radio Systems' Squawk Box or Four Source Router Cards. Connection to these cards is via connectors J3 and J4 using the control cables provided with the option cards.

* shipped after Sept. 2003

Information Grid	
Manufactured Date:	1998-Present
Status:	Current
Application:	Millenium-A Console / Millenium-D Console
Notes:	

radio
SYSTEMS

601 Heron Drive · Logan Township, NJ 08085
856/467-8000 · 856/467-3044 Fax · sales@radiosystems.com
www.radiosystems.com · www.studiohub.com