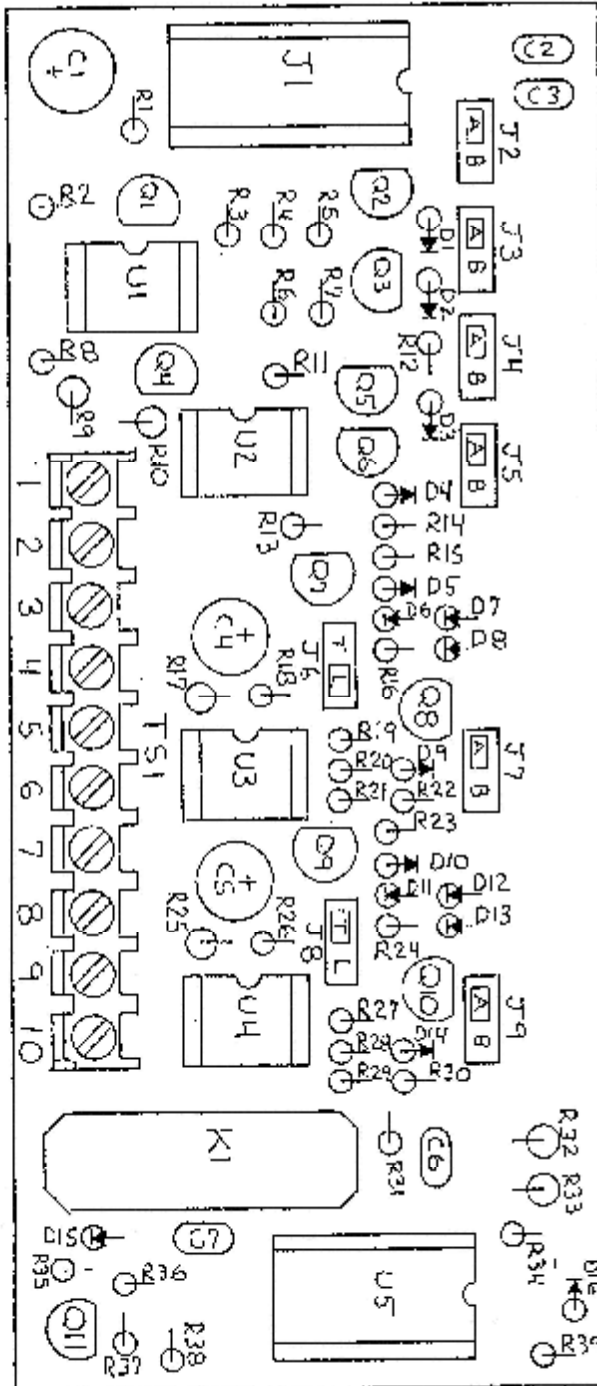


# Technical Bulletin

## No: 102 – Cart Interface

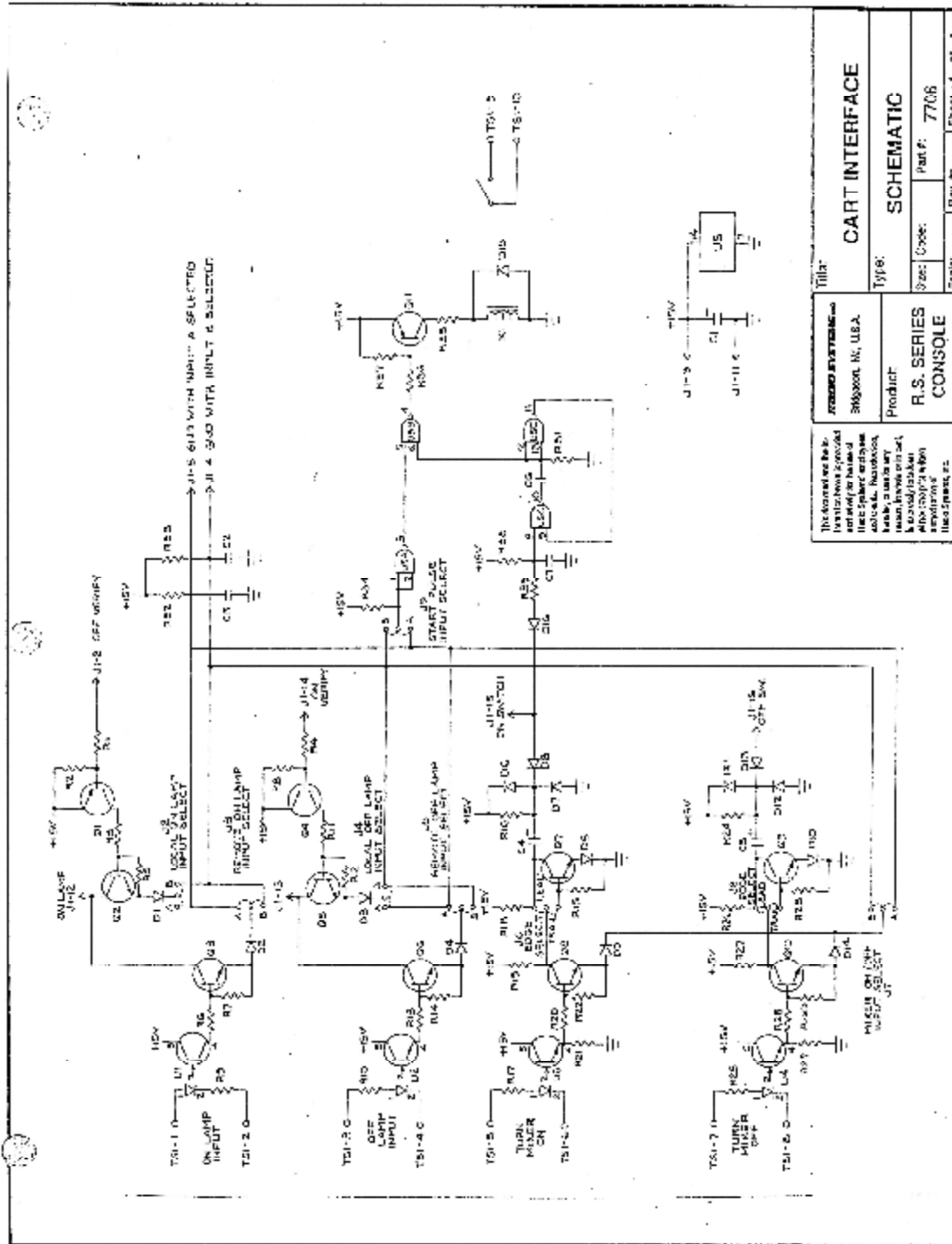


<p>The document and technical information is provided exclusively for the use of Radio Systems' employees and clients. Reproduction, transfer, or use for any reason, in whole or in part is expressly forbidden. Without the prior written authorization of Radio Systems, Inc.</p>		<p>PRELIMINARY SYSTEMS, Inc. Bridgeport, NJ, U.S.A.</p>		<p>Title: <b>CART INTERFACE</b></p>	
<p>Product: <b>R.S. SERIES CONSOLE</b></p>		<p>Type: <b>CIRCUIT BOARD</b></p>		<p>Size: Code: Part #: 7706</p>	
<p>Scale:</p>		<p>Rev. #:</p>		<p>Sheet 1 of 1</p>	



601 Heron Drive  
Logan Township, NJ 08085  
Phone: 856-467-8000 • Fax: 856-467-3044  
<http://www.radiosystems.com>

# Technical Bulletin No: 102 – Cart Interface



<b>THE INFORMATION CONTAINED HEREIN IS UNCLASSIFIED EXCEPT WHERE SHOWN OTHERWISE. IT IS THE PROPERTY OF RADIO SYSTEMS, INC. AND IS LOANED TO YOUR AGENCY. IT AND ITS CONTENTS ARE NOT TO BE DISTRIBUTED OUTSIDE YOUR AGENCY.</b>	
<b>RADIO SYSTEMS, INC.</b> 5850 W. 11th St., U.S.A.	
<b>Product:</b> R.S. SERIES CONSOLE	
<b>Title:</b> CART INTERFACE	
<b>Type:</b> SCHEMATIC	
<b>Scale:</b> Code: Part #: 7706	
Sheet: 1 of 1	

# Technical Bulletin

## No: 102 – Cart Interface

PAGE 1      ASSY# 7706 CART INTERFACE CARD PWA RS      28 JAN 1993

REF-DES.....	DESC.....	PART#	QTY.	UM
	CART INTERFACE DETAIL PCB	7720	1	EA
	CAP 100UF 25V RAD +-20%	5744	1	EA
C2;C3;C6;C7	CAP .1UF FILM	5743	4	EA
C4;C5	CAP 15 UF 35V	7351	2	EA
D1-D4;D15	DIODE 1N4005	7012	5	EA
D5-D14;D16	DIODE 1N4148	1012	11	EA
J1	SOCKET 16 PIN DIP	1039	1	EA
J2-J9	JUMPER PLUG .1"	5758	8	EA
J2-J9	HEADER 8 PIN SINGLE ROW .1	7770	8	EA
K1	SOCKET 4 PIN RELAY BLUEBOY	1023	1	EA
K1	RELAY HANLIN HE3321A0400	1024	1	EA
Q1;Q4;Q11	TRANSISTOR 2N4403	6119	3	EA
Q2;Q3;Q5-Q10	TRANSISTOR 2N4401	6118	8	EA
R15;R23	RES 1 MEG 1/4W 5%	1047	2	EA
R16;R24	RES 4.7K 1/4W 5%	1121	2	EA
R18;R26	RES 2.2K 1/4W 5%	1016	2	EA
R1;R4;R36	RES 100K 1/4W 5%	1018	3	EA
R2;R5;R7;R8;R12;R14; R19;R21;R22;R27;R29; R30;R34;R38	RES 10K 1/4W 5%	1017	14	EA
R31	RES 2M 1/4W 5%	7738	1	EA
R32;R33	RES 1K 1/2W 5%	2831	2	EA
R35;R39	RES 1K 1/4W 5%	1032	2	EA
R37	RES 33K 1/4W 5%	7739	1	EA
R3;R6;R11;R13;R20;R2 8	RES 3.9K 1/4W 5%	5735	6	EA
Q1;R10;R17;R25	RES 2.2K 1/2W 5%	1164	4	EA
U1	TERMINAL BLOCK 10 PIN NDI2MV10	7647	1	EA
U1-U4	IC TIL111	3224	4	EA
U1-U4	SOCKET 6 PIN DIP	3225	4	EA
U5	SOCKET 14 PIN DIP	1027	1	EA
U5	IC 4011	2715	1	EA



601 Heron Drive  
 Logan Township, NJ 08085  
 Phone: 856-467-8000 • Fax: 856-467-3044  
<http://www.radiosystems.com>