

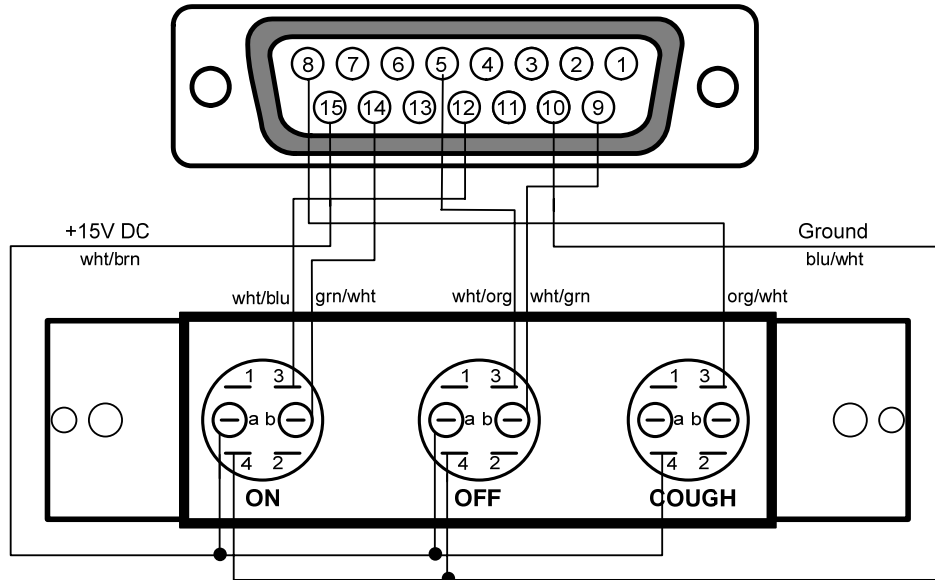
# Technical Bulletin

## No: 142 – Mic On/Off/Cough Push Button Wiring

### For Mic On/Off/Cough Control (A Input Only) – Part #14531

| RJ-45 PIN # (Color) | "D" PIN # | Function                      | Input/Output | Signal                       |
|---------------------|-----------|-------------------------------|--------------|------------------------------|
| 1 (wht/org)         | 5         | Channel Off Control - Input A | Input        | Active when pulled to ground |
| 2 (org/wht)         | 8         | Cough                         | Input        | DC                           |
| 3 (wht/grn)         | 9         | Off Lamp                      | Lamps        | DC                           |
| 4 (blu/wht)         | 10        | Ground                        |              | Ground                       |
| 5 (wht/blu)         | 12        | Channel On Control - Input A  | Input        | Active when pulled to ground |
| 6 (grn/wht)         | 14        | On lamp                       | Lamps        | DC                           |
| 7 (wht/brn)         | 15        | +15V DC                       | Power        | DC                           |

### Wiring to StudioHub+ 3 Push Button Plate Shown



| Pins | Contact         |
|------|-----------------|
| 1-2  | Normally Closed |
| 3-4  | Normally Open   |
| A-B  | Lamp            |



601 Heron Drive  
 Logan Township, NJ 08085  
 Phone: 856-467-8000 • Fax: 856-467-3044  
<http://www.radiosystems.com>