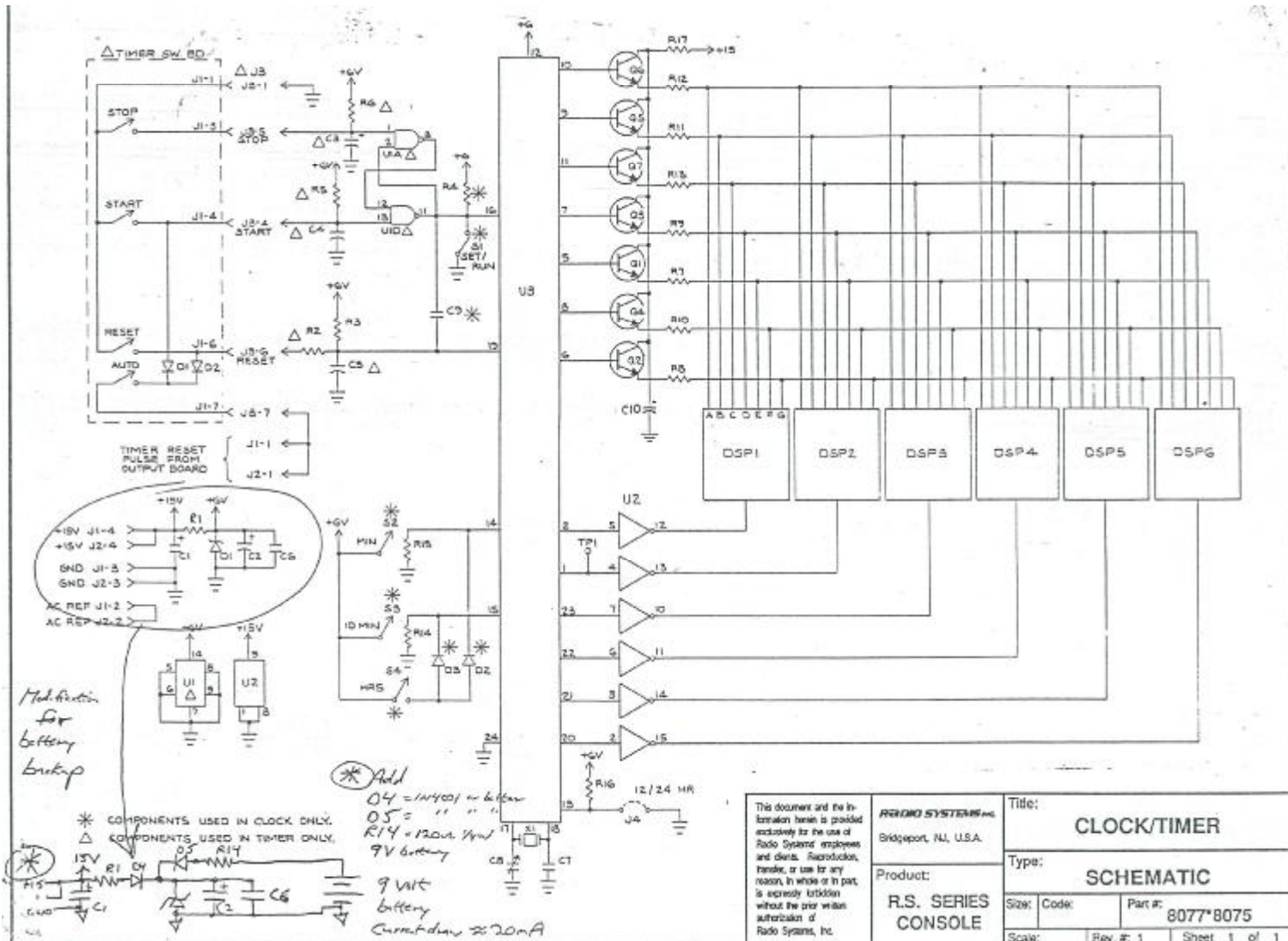


Technical Bulletin

No: 802 – RS Console Clock Battery Back-Up



This document and the information herein is provided exclusively for the use of Radio Systems' employees and clients. Reproduction, transfer, or use for any reason, in whole or in part, is expressly forbidden without the prior written authorization of Radio Systems, Inc.	RRSD SYSTEMS INC. Bridgeport, NJ, U.S.A.	Title: CLOCK/TIMER
	Product: R.S. SERIES CONSOLE	Type: SCHEMATIC
	Size: Code: Part #: 8077*8075	Scale: Rev. #: 1 Sheet 1 of 1



601 Heron Drive
 Logan Township, NJ 08085
 Phone: 856-467-8000 • Fax: 856-467-3044
<http://www.radiosystems.com>