

Technical Bulletin

No: 902 – On Switch Default after Power Failure

Problem: After a power failure, all ESA-10 On/Off Switches return to an “Off” state. This is particularly troublesome for operators utilizing a satellite/automation system during unattended console hours.

Solution: Add two components to each ON switch that must return to the “On” state following a power failure

These components are one 10uF, 25 volt capacitor and one 10K Ohm 5% resistor.

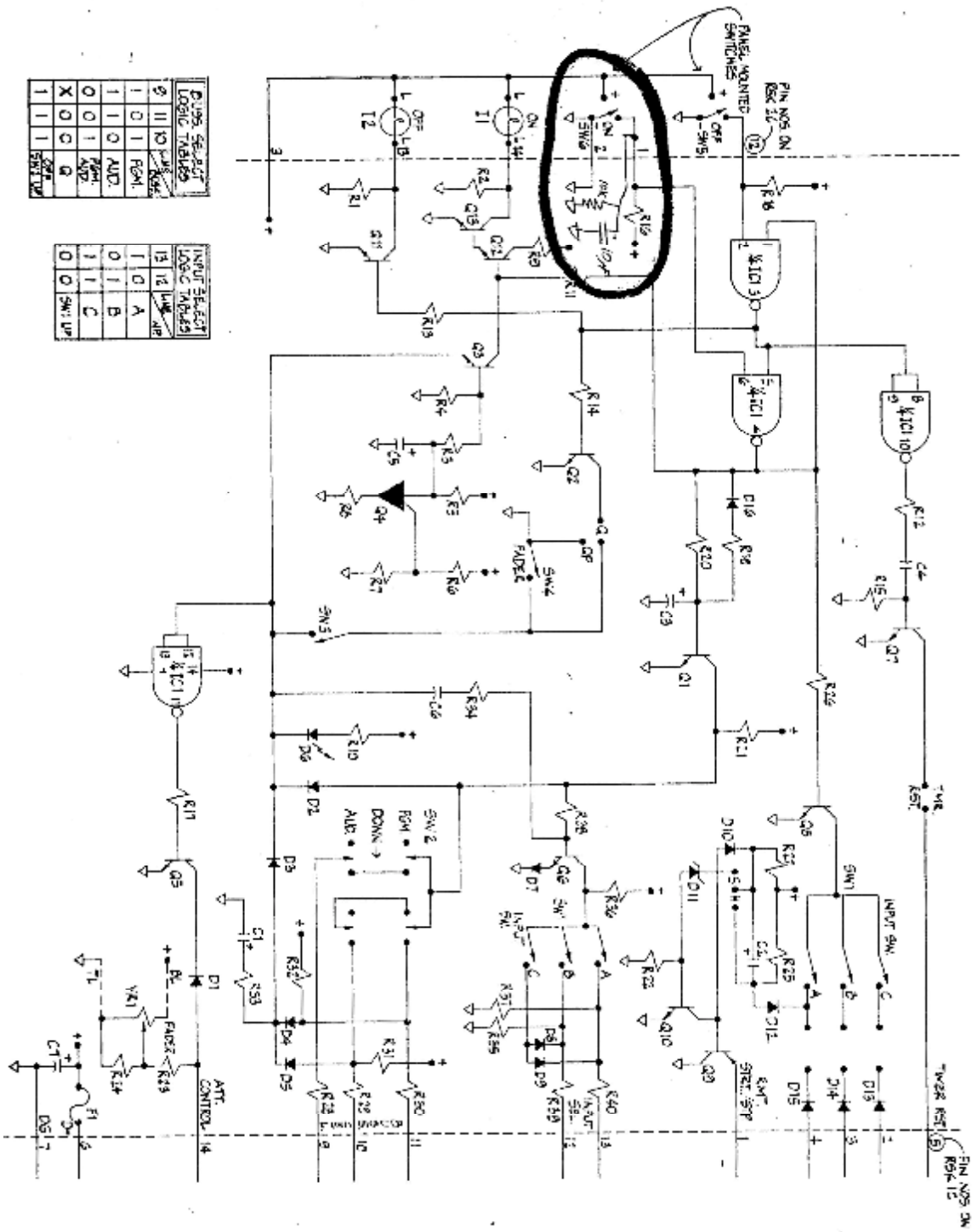
Install these components (as drawn on the attached schematic) across the two sides of the “On” switch.



601 Heron Drive
Logan Township, NJ 08085
Phone: 856-467-8000 • Fax: 856-467-3044
<http://www.radiosystems.com>

Technical Bulletin

No: 902 – On Switch Default after Power Failure



601 Heron Drive
 Logan Township, NJ 08085
 Phone: 856-467-8000 • Fax: 856-467-3044
<http://www.radiosystems.com>